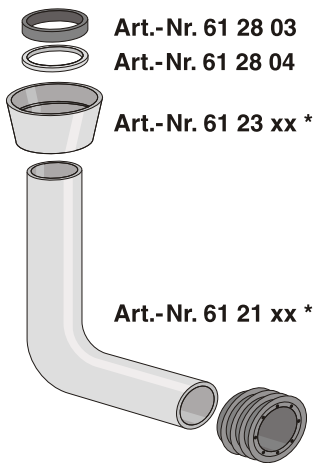
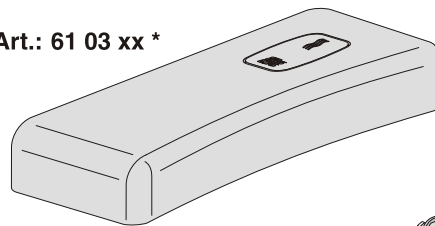


Service



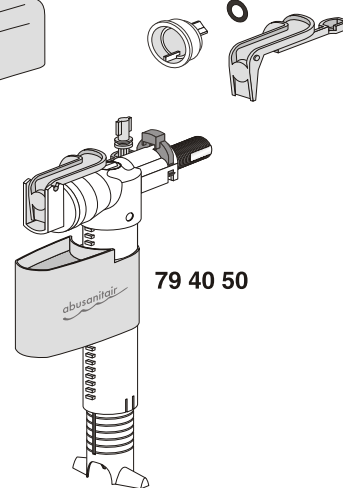
Art.: 61 03 xx *



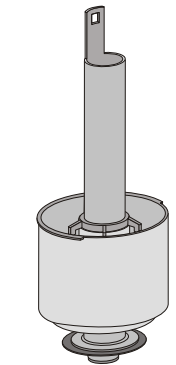
* xx =

61 50 01

Art.: 61 00 22

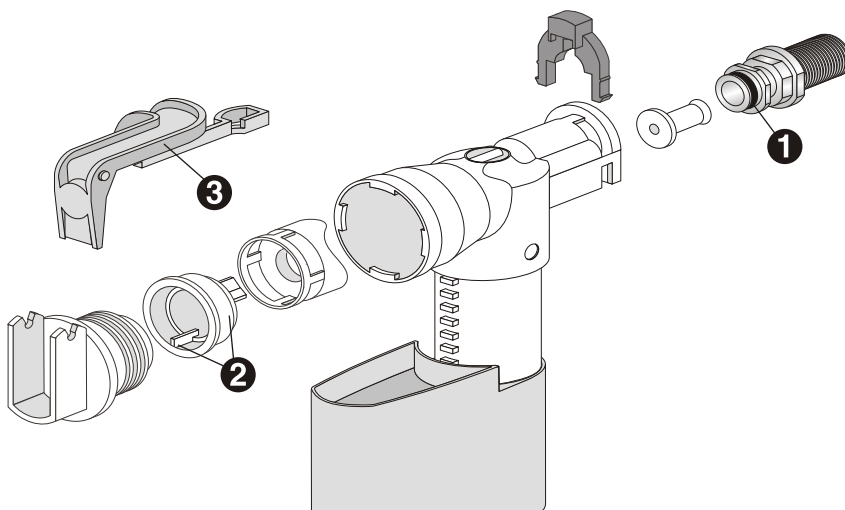


79 40 50



Art.-Nr. 61 28 02

Service



61 50 01

2

1

3